

13" Blade Gear-Driven Slicer With 0.47 HP Motor

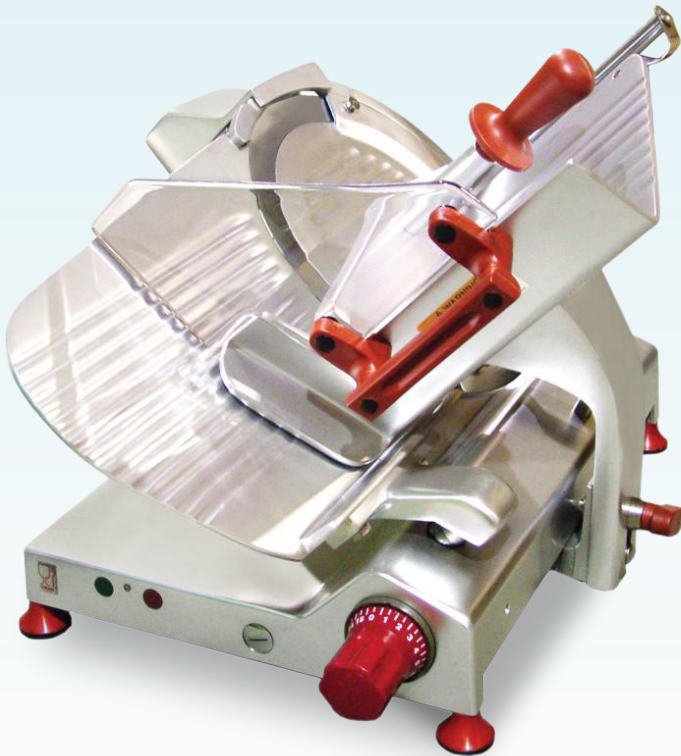
ITEM: 31438
MODEL: MS-IT-0330-F

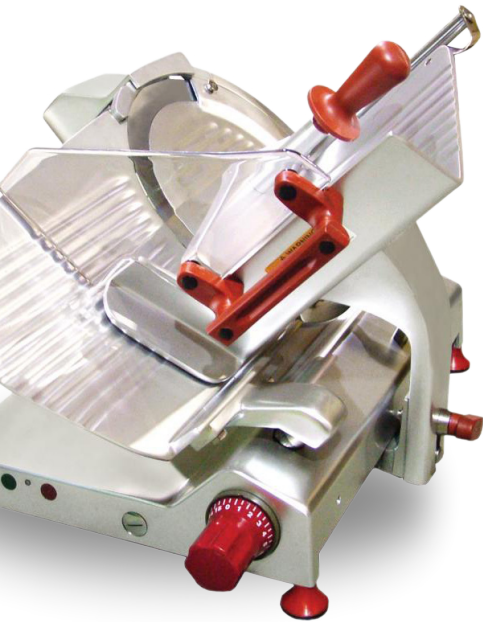
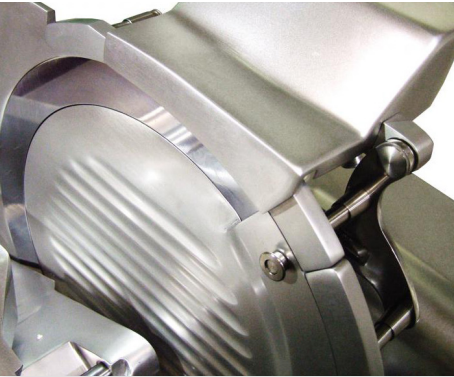
Simple and exceptional

This slicer is a big size gravity feed slicer of elegant design. The narrow band blade offers high cutting performance with any type of product to the most demanding operators. The big sized product holder is positioned on a sliding carriage, and it can be totally removed in order to clean easily.

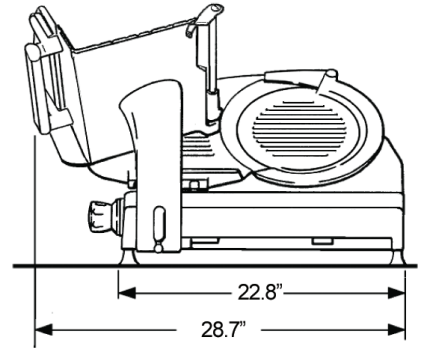
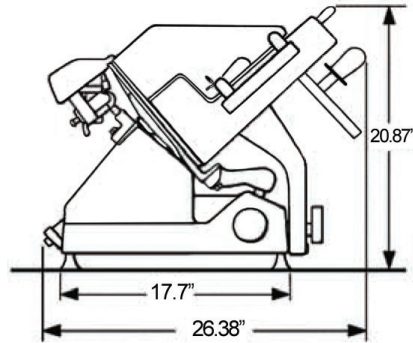
FEATURES:

- On/Off one switches with LED
- Removable parts for cleaning
- Blade with chromium-plated hardened steel
- Turning aside and removable sharpener
- Big size product - holder plate
- Transparent plexiglass protection plate
- Safety devices according to EN1974 standards





TECHNICAL DRAWINGS



*Cheese Slicing Ratings □□□ Not Recommended ■□□ Occasional ■■■ Low ■■■ Medium ■■■ High
**Results may vary due to product consistency and temperature

Technical Specification	
Item	31438
Model	MS-IT-0330-F
Blade Size	13" (330 mm)
Cut Size	8.85" x 8.66" (225 x 220 mm)
Cut Thickness	0 - 0.55" (0 - 14 mm)
Cheese Slicing*	■■■
Slicing Volume**	8 Hours or more
Slicing Capacity	10.6" x 6.7" (269 x 170 mm) 9.45" (240 mm)
IP	65
RPM	240
Power	350 W / 0.47 hp
Electrical	120V / 60Hz / 1Ph
Net Weight	94.8 lb. (43 kg.)
Net Dimensions (WDH)	29.7" x 26.4" x 20.86" (754 x 670 x 530 mm)
Gross Weight	110 lb. (50 kg.)
Gross Dimensions (WDH)	28" x 32.7" x 26.7" (711 x 831 x 678 mm)
Plug Type	NEMA 5 - 15P